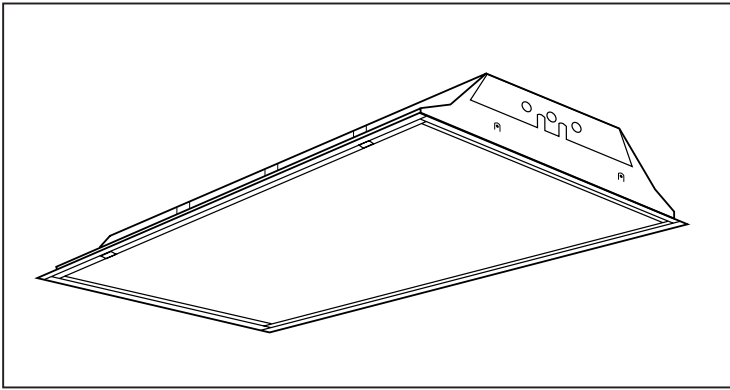
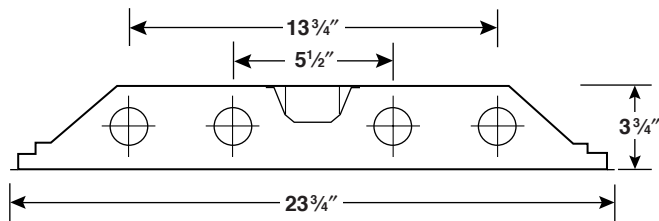


# WT24-4

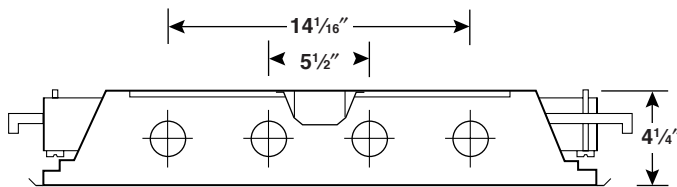
## WET LOCATION "SHALLOW" TROFFER 2' x 4', 4 Lamps



### Cross Section

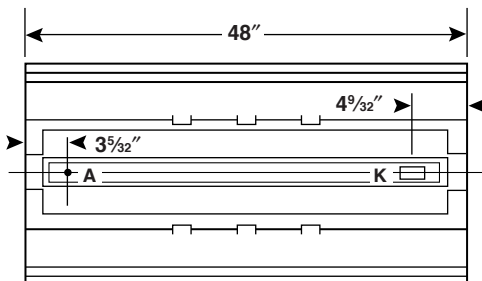


2' x 4' 4 Lamps Lay-In



24 3/4" x 49 5/8"  
2' x 4' 4 Lamps Flanged

### Flanged cut out dimensions for single unit only: 24" x 48 7/8"



A - 7/8" Diameter Knockout

K - 2" x 3" through hole for access plate.

**NOTE:** All dimensions are in inches; dimensions and specifications are subject to change without notice. Please consult factory or check sample for verification.

Type: \_\_\_\_\_

Job Description: \_\_\_\_\_

### Features

- Wet label shallow housing troffer.
- Gasketed to provide additional seal between door, lens, and housing.
- Mitered corners standard on door frame.
- Rolled or hemmed housing edges.
- Mechanical light trap.
- All metal parts are white powder coat, painted after fabrication.
- UL listed 1598 for wet location covered ceiling applications.
- Integral T-bar clips quickly secure fixture to the grid system without the need for time-consuming loose parts.
- Snap-in ballast covers can be removed when lamps are installed.
- Corner hinging for easy insertion and removal of shielding frame.
- Flush steel shielding frame, screw assembled for easy diffuser replacement.
- Housing ends are secured by unique corner interlock and screws.
- Heat sink embossments behind ballasts for cooler operation and longer life.
- Metal to metal light leak protection on all four sides of shielding frame.

### Flanged Features

- Four adjustable Uni-Lugs for quick easy installation.
- Optional plaster frames available for individual or row mounting.
- Fixture end flanges are removable for row mounting. Joiner channels are included.

### Housing

Heavy gauge steel. Die formed for extra rigidity. Designed for installation in standard inverted tee grid ceilings.

### Ballasts

Energy efficient, thermally protected, automatic resetting, Class P, high power factor, CBM, sound rated A, unless otherwise specified.

### Finish

All metal parts are processed with a 5 phase phosphate bonding treatment. Grid units are pre-painted with high gloss baked white enamel, 86% reflective. Flanged units are painted after fabrication with a polyester powder coat, reflectance of 90%.

### Shielding

100% acrylic prismatic, extruded and roll-embossed, diagonally oriented female prisms, unless otherwise specified.

### Labels

All fixtures carry the UL 1598 label. (CSA approval available. Use Suffix "CSA").

### Flanged Unit Installation

Fixtures are installed from below the ceiling and have overlapping trim flanges. Adjustable Uni-Lugs secure the fixture to the ceiling structure. Plaster frames are available if required.

Complete ordering information on back. Dimensions and specifications subject to change without notice.

*Photometric Report*

**CONTACT FACTORY**

**Ordering Information Example: WT24-440G-FSA12-EU-CWES-C488-GLR**

<p><b>Series</b></p>														
<p><b>Fixture Size</b></p>											<p><b>Voltage</b></p>			
<p>24 - 2' x 4'</p>											<p>120 - 120V 277 - 277V 347 - 347V U - 120V-277V</p>			
<p><b>No. of Lamps</b></p>											<p><b>Ballast</b></p>	<p><b>Options</b></p>		
<p>4 - Four</p>											<p>E - Electronic T8, Instant Start 4E - 4-Lamp Electronic T8, Instant Start EP - Electronic T5 or T8, Programmed Start For a specific ballast vendor, show as option.</p>	<p>SLL - Spring Loaded Latches GMF - Slow Blow Fuse GLR - Fast Blow Fuse C388 - 3/8" Flex with 3 No. 18 Wires C384 - 3/8" Flex with 3 No. 14 Wires C488 - 3/8" Flex with 4 No. 18 Wires C424 - 1/2" Flex with 4 No. 14 Wires FCWES - T12 Cool White Energy Saving Lamps Furn/Inst. FWWES - T12 Warm/White Energy Saving Lamps Furn/Inst. FO730 - T8, 70CRI, 3000K Lamps, Furn/Inst. FO735 - T8, 70CRI, 3500K Lamps, Furn/Inst. FO741 - T8, 70CRI, 4100K Lamps, Furn/Inst. CSA - UL listed or CSA certified for Canada EL - Emergency Battery Pack For a complete set of options, see options and accessories section. H - Undamped Heat Extract</p>		
<p><b>Lamp Type</b></p>											<p><b>Shielding</b></p>			
<p>40 - 40 Watt, T12 32 - 32 Watt, T8 28 - 28 Watt, T5 54 - 54 Watt, T5HO</p>											<p>A12 - Pattern 12 Acrylic .100" Nominal (Standard) A12.125 - Pattern 12 Acrylic .125" Nominal A12.125M - Pattern 12 Acrylic .125" Minimum A19 - Pattern 19 Acrylic .156" Male Prism IMA - .150 Injection Molded Acrylic .156" Male Prism DOP - White Dished Acrylic PC1 - Silver Parabolic Louver 1/2" x 1/2" x 1/2" PC2 - Silver Parabolic Louver 1 1/2" x 1 1/2" x 1" For more shielding see options and accessories section.</p>			
<p><b>Ceiling Type</b></p>														
<p>G - Inverted T-bar F - Overlap Flange</p>														
<p><b>Door Style</b></p>														
<p>FS - White Flush Steel (Standard) PS - Premium Steel TPFS - Tamper Resistant Flush Steel FA - White Flush Aluminum RA - White Regressed Aluminum BFA - Black Painted Flush Aluminum BRA - Black Painted Regressed Aluminum SFA - Silver Painted Flush Aluminum SRA - Silver Painted Regressed Aluminum</p>														