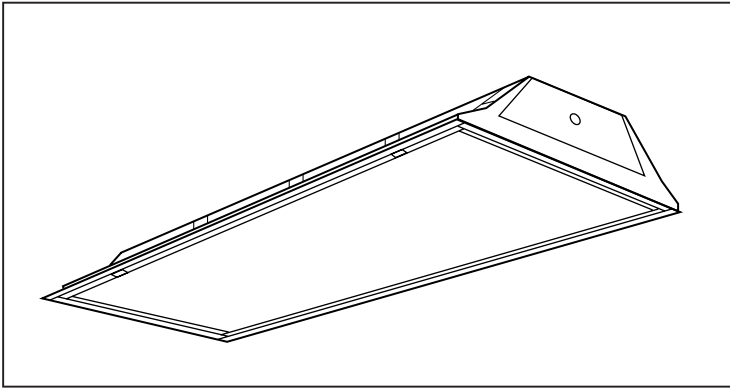


# WT14-3

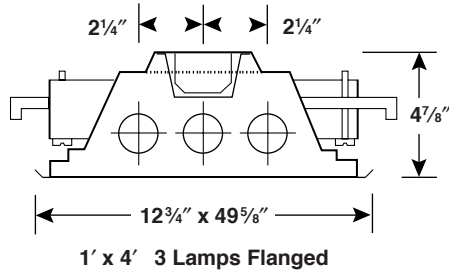
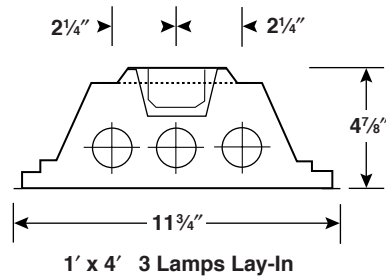
## WET LOCATION "SHALLOW" TROFFER 1' x 4', 3 Lamps

Type: \_\_\_\_\_

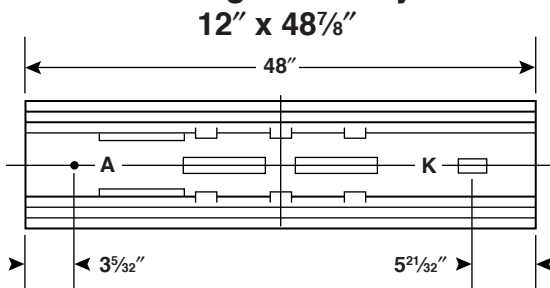
Job Description: \_\_\_\_\_



### Cross Section



### Flanged cut out dimensions for single unit only:



**A** - 7/8" Diameter Knockout

**K** - 2" x 3" through hole for access plate.

**NOTE:** All dimensions are in inches; dimensions and specifications are subject to change without notice. Please consult factory or check sample for verification.

### Features

- Wet label shallow housing troffer.
- Gasketed to provide additional seal between door, lens, and housing.
- Mitered corners standard on door frame.
- Rolled or hemmed housing edges.
- Mechanical light trap.
- All metal parts are white powder coat, painted after fabrication.
- UL listed 1598 for wet location covered ceiling applications.
- Rotary action cam latches. Smooth operating for secure shielding retention.
- Corner hinging for easy insertion and removal of shielding frame.
- Flush steel shielding frame, screw assembled for easy diffuser replacement.
- Housing ends secured by unique corner interlock and screws.
- Metal to metal light leak protection on all four sides of shielding frame.
- Rotary lock lampholders for positive lamp contact.
- Heat sink embossments behind ballasts for cooler operation, longer life.

### Flanged Features

- Four adjustable Uni-Lugs for quick easy installation.
- Optional plaster frames available for individual or row mounting.
- Fixture end flanges are removable for row mounting. Joiner channels are included.

### Housing

Heavy gauge steel. Die formed for extra rigidity. Designed for installation in standard inverted tee grid ceilings.

### Ballasts

Energy efficient, thermally protected, automatic resetting, Class P, high power factor, CBM, sound rated A, unless otherwise specified.

### Finish

All metal parts are processed with a 5 phase phosphate bonding treatment. Grid units are pre-painted with high gloss baked white enamel, 86% reflective. Flanged units are painted after fabrication with a polyester powder coat, reflectance of 90%.

### Shielding

100% acrylic prismatic, extruded and roll-embossed, diagonally oriented female prisms, unless otherwise specified.

### Labels

All fixtures carry the UL 1598 label. (CSA approval available. Use Suffix "CSA").

### Flanged Unit Installation

Fixtures are installed from below the ceiling and have overlapping trim flanges. Adjustable Uni-Lugs secure the fixture to the ceiling structure. Plaster frames are available if required.

Complete ordering information on back. Dimensions and specifications subject to change without notice.

*Photometric Report*

**CONTACT FACTORY**

**Ordering Information Example: WT14-340G-FSA12-EU-CWES-C488-GLR**

<p><b>Series</b></p> <p><b>Fixture Size</b> 14 - 1' x 4'</p> <p><b>No. of Lamps</b> 3 - Three</p> <p><b>Lamp Type</b> 40 - 40 Watt, T12 32 - 32 Watt, T8 28 - 28 Watt, T5 54 - 54 Watt, T5HO</p> <p><b>Ceiling Type</b> G - Inverted T-bar F - Overlap Flange</p> <p><b>Door Style</b> FS - White Flush Steel (Standard) PS - Premium Steel TPFS - Tamper Resistant Flush Steel FA - White Flush Aluminum RA - White Regressed Aluminum BFA - Black Painted Flush Aluminum BRA - Black Painted Regressed Aluminum SFA - Silver Painted Flush Aluminum SRA - Silver Painted Regressed Aluminum</p>	<p><b>Voltage</b> 120 - 120V 277 - 277V 347 - 347V U - 120V-277V</p> <p><b>Ballast</b> E - Electronic T8, Instant Start 3E - 3-Lamp Electronic T8, Instant Start EP - Electronic T5 or T8, Programmed Start For a specific ballast vendor, show as option.</p> <p><b>Shielding</b> A12 - Pattern 12 Acrylic .100" Nominal (Standard) A12.125 - Pattern 12 Acrylic .125" Nominal A12.125M - Pattern 12 Acrylic .125" Minimum A19 - Pattern 19 Acrylic .156" Male Prism IMA - .150 Injection Molded Acrylic .156" Male Prism DOP - White Dished Acrylic PC1 - Silver Parabolic Louver 1/2" x 1/2" x 1/2" PC2 - Silver Parabolic Louver 1/2" x 1/2" x 1" For more shielding see options and accessories section.</p>	<p><b>Options</b> SLL - Spring Loaded Latches GMF - Slow Blow Fuse GLR - Fast Blow Fuse C388 - 3/8" Flex with 3 No. 18 Wires C384 - 3/8" Flex with 3 No. 14 Wires C488 - 3/8" Flex with 4 No. 18 Wires C424 - 1/2" Flex with 4 No. 14 Wires FCWES - T12 Cool White Energy Saving Lamps Furn/Inst. FWWES - T12 Warm/White Energy Saving Lamps Furn/Inst. FO730 - T8, 70CRI, 3000K Lamps, Furn/Inst. FO735 - T8, 70CRI, 3500K Lamps, Furn/Inst. FO741 - T8, 70CRI, 4100K Lamps, Furn/Inst. CSA - UL listed or CSA certified for Canada EL - Emergency Battery Pack PAF - Painted After Fabrication For a complete set of options, see options and accessories section. H - Undamped Heat Extract</p>
---	---	--