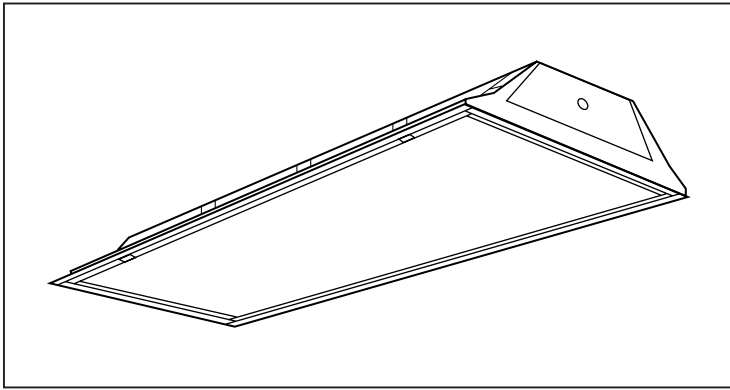
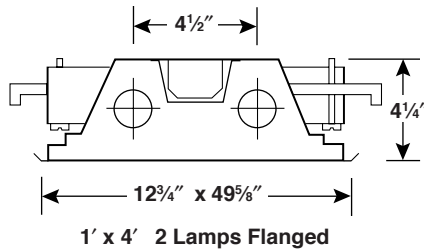
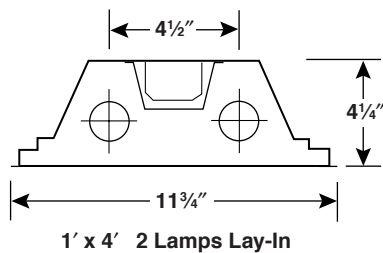


WT14-2

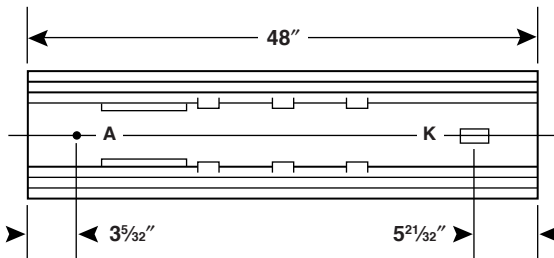
WET LOCATION "SHALLOW" TROFFER 1' x 4', 2 Lamps Rapid Start



Cross Section



**Flanged cut out dimensions
for single unit only:
12" x 48 7/8"**



A - 7/8" Diameter Knockout

K - 2" x 3" through hole for access plate.

NOTE: All dimensions are in inches; dimensions and specifications are subject to change without notice. Please consult factory or check sample for verification.

Complete ordering information on back. Dimensions and specifications subject to change without notice.

Type: _____

Job Description: _____

Features

- Wet label shallow housing troffer.
- Gasketed to provide additional seal between door, lens, and housing.
- Mitered corners standard on door frame.
- Rolled or hemmed housing edges.
- Mechanical light trap.
- All metal parts are white powder coat, painted after fabrication.
- UL listed 1598 for wet location covered ceiling applications.
- Rotary action cam latches. Smooth operating for secure shielding retention.
- Corner hinging for easy insertion and removal of shielding frame.
- Flush steel shielding frame, screw assembled for easy diffuser replacement.
- Housing ends secured by unique corner interlock and screws.
- Metal to metal light leak protection on all four sides of shielding frame.
- Rotary lock lampholders for positive lamp contact.
- Heat sink embossments behind ballasts for cooler operation, longer life.

Flanged Features

- Four adjustable Uni-Lugs for quick easy installation.
- Optional plaster frames available for individual or row mounting.
- Fixture end flanges are removable for row mounting. Joiner channels are included.

Housing

Heavy gauge steel. Die formed for extra rigidity. Designed for installation in standard inverted tee grid ceilings. Integral tee bar clips are located in the endcap of the housing.

Ballasts

Energy efficient, thermally protected, automatic resetting, Class P, high power factor, CBM, sound rated A, unless otherwise specified.

Finish

All metal parts are processed with a 5 phase phosphate bonding treatment. Grid units are pre-painted with high gloss baked white enamel, 86% reflective. Flanged units are painted after fabrication with a polyester powder coat, reflectance of 90%.

Shielding

100% acrylic prismatic, extruded and roll-embossed, diagonally oriented female prisms, unless otherwise specified.

Labels

All fixtures carry the UL 1598 label. (CSA approval available. Use Suffix "CSA").

Flanged Unit Installation

Fixtures are installed from below the ceiling and have overlapping trim flanges. Adjustable Uni-Lugs secure the fixture to the ceiling structure. Plaster frames are available if required.

Photometric Report

CONTACT FACTORY

Ordering Information Example: WT14-232G-FSA12-EU

<p>Series</p> <p>Fixture Size 14 - 1' x 4'</p> <p>No. of Lamps 2 - Two</p> <p>Lamp Type 40 - 40 Watt, T12 32 - 32 Watt, T8 28 - 28 Watt, T5 54 - 54 Watt, T5HO</p> <p>Ceiling Type G - Inverted T-bar F - Overlap Flange</p> <p>Door Style FS - White Flush Steel (Standard) PS - Premium Steel TPFS - Tamper Resistant Flush Steel FA - White Flush Aluminum RA - White Regressed Aluminum BFA - Black Painted Flush Aluminum BRA - Black Painted Regressed Aluminum SFA - Silver Painted Flush Aluminum SRA - Silver Painted Regressed Aluminum</p>	<p>Voltage 120 - 120V 277 - 277V 347 - 347V U - 120V-277V</p> <p>Ballast E - Electronic T8, Instant Start EP - Electronic T5 or T8, Programmed Start For a specific ballast vendor, show as option.</p> <p>Shielding A12 - Pattern 12 Acrylic .100" Nominal (Standard) A12.125 - Pattern 12 Acrylic .125" Nominal A12.125M - Pattern 12 Acrylic .125" Minimum A19 - Pattern 19 Acrylic .156" Male Prism IMA - .150 Injection Molded Acrylic .156" Male Prism DOP - White Dished Acrylic PC1 - Silver Parabolic Louver 1/2" x 1/2" x 1/2" PC2 - Silver Parabolic Louver 1 1/2" x 1 1/2" x 1" For more shielding see options and accessories section.</p>	<p>Options SLL - Spring Loaded Latches GMF - Slow Blow Fuse GLR - Fast Blow Fuse C388 - 3/8" Flex with 3 No. 18 Wires C384 - 3/8" Flex with 3 No. 14 Wires C488 - 3/8" Flex with 4 No. 18 Wires C424 - 1/2" Flex with 4 No. 14 Wires FCWES - T12 Cool White Energy Saving Lamps Furn/Inst. FWWES - T12 Warm/White Energy Saving Lamps Furn/Inst. FO730 - T8, 70CRI, 3000K Lamps, Furn/Inst. FO735 - T8, 70CRI, 3500K Lamps, Furn/Inst. FO741 - T8, 70CRI, 4100K Lamps, Furn/Inst. CSA - UL listed or CSA certified for Canada EL - Emergency Battery Pack PAF - Painted After Fabrication For a complete set of options, see options and accessories section. H - Undamped Heat Extract</p>
---------------------------------------------------------------------------------------------------------------------------------------------------------------------------------------------------------------------------------------------------------------------------------------------------------------------------------------------------------------------------------------------------------------------------------------------------------------------------------------------------------------------------------------------------------------------------------------------------------------------------------------------------------------------	----------------------------------------------------------------------------------------------------------------------------------------------------------------------------------------------------------------------------------------------------------------------------------------------------------------------------------------------------------------------------------------------------------------------------------------------------------------------------------------------------------------------------------------------------------------------------------------------------------------------------------------------------------------------------------------------------------------------------------------------	------------------------------------------------------------------------------------------------------------------------------------------------------------------------------------------------------------------------------------------------------------------------------------------------------------------------------------------------------------------------------------------------------------------------------------------------------------------------------------------------------------------------------------------------------------------------------------------------------------------------------------------------------------------------------------------------------------------------------------------------------------------------