

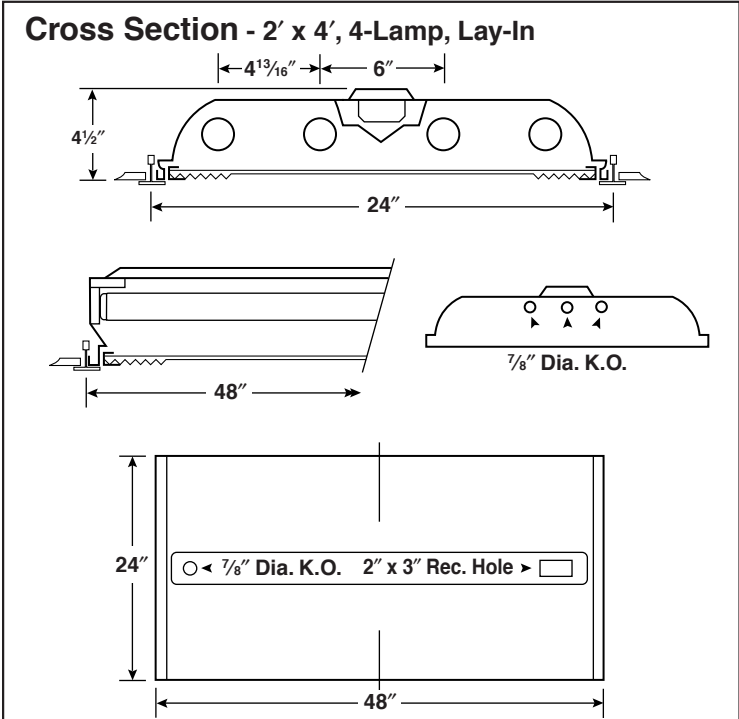
4VS24-4

Specification Grade Non-Air Troffer 2' x 4', 4 Lamps

Type: _____

Job Description: _____

- 4½" deep troffer eliminates lens shadowing.
- Standard lens made of .140" high impact acrylic.
- Contoured housing maximizes photometric performance with uniform lens brightness.
- Unique stepped ballast cover prevents any shadow being seen through the lens.
- Mitered corners on door present a clean uninterrupted appearance.
- T-slot steel hinges insure a snug door fit and positive retention when opening.
- Heavy duty door frame enhances appearance from eye level.
- Snug door fit eliminates light leaks.
- Four tamper resistant screws, standard, secure door frame to housing. Six tamper resistant screws optional.
- Stainless steel tamper resistant screws optional.



Housing

Fixture is constructed of die formed and embossed code gauge steel. End caps are hinged and riveted to the housing for added rigidity. Designed for installation in all ceilings as shown below. Specify exact ceiling type. Integral tee bar clips are located in the end cap.

Ballast & Electrical

All luminaires are completely wired with class "P", thermally protected, resetting, HPF, CBM, LE ballast, sound rated A. Lampholders are medium bi-pin with positive retention. Furnished with an access plate.

Finish

All metal parts are processed with a multi-stage phosphate bonding treatment and finished with a high reflectance baked white enamel. For a post painted housing finish suffix catalog number with PAF.

Shielding

Standard lens is made of high impact, pattern 12 acrylic. For other available lenses consult lens option sheet or contact your Columbia representative. Standard flush door is formed steel with mitered corners. Doors are retained by cam action latches, are easily removed without tools, and hinge from either side. Regressed or flush aluminum doors with mitered corners are also available.

Labels

All fixtures carry a UL listing and bear UL recessed luminaire labels. Optional CUL label available.

Ceiling Compatibility

Type G

Side End

For lay-in installation in exposed grid ceilings. Maximum tee widths of 1" and maximum tee heights of 1½" allowed.

Type M

Side End

"Fit-in" style extruded trim aligns with modular tile joints. Fixture is supported from concealed suspension, includes adjustable wing hangers.

Type F

Side End

Overlapping trim conceals edges of ceiling opening. Wing hanger suspension included.

Flanged cut out dimension for single unit only: 24 1/8" x 48 1/8"

Complete ordering information on back. Dimensions and specifications subject to change without notice.

4VS – 2' x 4', 4 lamps

For photometry contact factory

Ordering Information

Example: 4VS24-432G-FSDR12-4EU

<p>Series 4VS - Vandal Resistant Specification Grade</p>		<p>Ceiling Type G - Grid F - Overlap Flange M - Fit-in Flange</p>	<p>Voltage 120 - 120V 277 - 277V 347 - 347V U - 120V - 277V</p>	<p>Tamper Resistant Options Blank - (4) Tamper Resistant Screws (Std.) TP6 - (6) Tamper Resistant Screws TPS4 - (4) Stainless Steel Tamper Resistant Screws TPS6 - (6) Stainless Steel Tamper Resistant Screws</p>
<p>Fixture Length 24 - 2' x 4'</p>		<p>Door Style FS - Flush Steel FA - Flush Aluminum RA - Regressed Aluminum</p>	<p>Ballast Blank - HPF, Non-Energy Saving (20 Watt only) E - Electronic T8, Instant Start 3E - 3-Lamp Electronic T8, Instant Start 4E - 4-Lamp Electronic T8, Instant Start</p>	
<p>No. of Lamps 2 - Two 3 - Three 4 - Four</p> <p>Lamp Type 32 - 4', 32 Watt, T8 40 - 4', 40 Watt, T12</p>		<p>Shielding DR12 - High Impact Acrylic Pattern 12, .140" (Std.) AT12 - KSH Acri-Tuf, .140" LG250 - Polycarbonate Acrylic Laminate Lens, .250" LG375 - Polycarbonate Acrylic Laminate Lens, .375"</p>	<p>For a specific ballast vendor, show as option.</p>	<p>Options DL - Damp Label SLL - Spring Loaded Latches PAF - Painted After Fabrication GLR - Fast Blow Fuse EL - Emergency Battery Pack FCWES - Cool White ES Lamps Installed FO735 - 35K 75CRI T8 Lamps Installed MS9 - Master/Satellite w/9' Harness CUL - Canadian UL RIF - Radio Interference Filter</p>