

# PM33 PM44 SPECIFICATION GRADE SURFACE MOUNT 3' x 3' or 4' x 4'

Type: \_\_\_\_\_

Job Description: \_\_\_\_\_

## FEATURES:

- Maximum depth of 3½" makes unit inconspicuous.
- Door frames available in a variety of styles from die formed steel to extruded aluminum.
- All painted parts are painted after fabrication ensuring maximum photometric performance and corrosion resistance.
- Doors open from either side without the use of tools.
- Backpan of housing is constructed of 20 gauge steel for added rigidity with deep embossments.
- All steel doors are constructed of 20 gauge material to ensure a snug fit with no light leaks.
- Precise mitered corners on housing present a clean appearance.

## Housing

Fixture and ballast cover are constructed of 22 gauge steel. Backpan is constructed of 20 gauge steel for added rigidity. All fixtures have center wireway access for wiring from the fixture center. Housing has mitered corners for a clean uninterrupted appearance. Fixture can be mounted to any commercial type ceiling. Consult factory for pendant mounting.

## SPECIFICATIONS:

### Ballasts & Electrical

All fixtures are completely wired with standard class "P", thermally protected, resetting, HPF, CBM, ESB ballasts. Sound rated A. Lampholders are medium bi-pin with positive retention and edge-wipe contacts. Row mounting with through circuit wiring must be specified.

### Finish

All metal parts are cleaned and treated with a five stage phosphate bonding process and finished with a high temperature baked white enamel after fabrication. All light reflecting surfaces shall have a minimum reflectance of 90%. Walnut or custom color trims are available. Please consult your Columbia Representative for availability.

### Shielding

Standard lenses are listed on the back. Consult lens option sheet or your Columbia Representative for other available options. Door frame is available in die formed 20 gauge steel or extruded aluminum. Door opens from either side without the use of tools. Latches on doors are positive acting spring loaded steel latches that firmly hold the door in place. Other doors use a lift and shift mechanism. 4' x 4' fixture available in single or double door. When using a single door and an injection molded lens a center mullion must be used.

### Labels

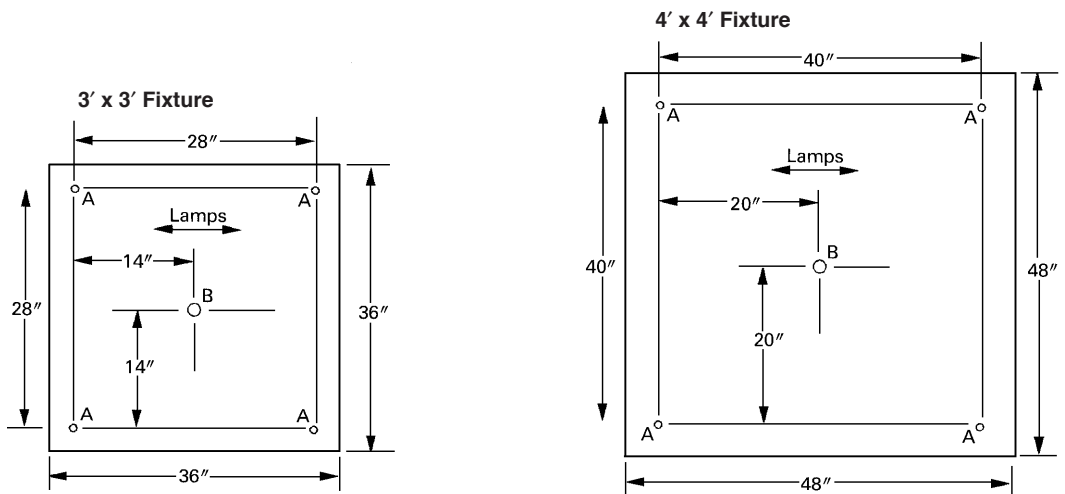
All fixtures carry the UL listing and bear appropriate UL labels for surface mounted fixtures. Approved for CSA.

## Cross Section

### K.O. Legend

A - 7/8" Diameter K.O. (4)

B - 2" Diameter K.O. (1)



## Ordering Information

Example: PM33-632-FAA12.187-24EU-GLR

### Series

PM Series

### Fixture Size

33 - 3' x 3'

### No. of Lamps

6 - Six Lamps

### Lamp Type

30 - 3' T12, 30 Watt  
25 - 3' T8, 25 Watt

### Door

FA - Flush Aluminum  
RA - Regressed Aluminum

### Voltage

120 - 120V  
277 - 277V  
347 - 347V  
U - 120V-277V

### Ballast

E - Electronic T8, Instant Start  
3E - 3-Lamp Electronic T8, Instant Start  
24E - (1) 2-Lamp & (1) 4-Lamp Electronic T8, Instant Start  
For a specific ballast vendor, show as option.

### Diffuser Options

A12 - Acrylic, Pattern 12  
DOP - One Piece Dished White Acrylic

### Options

GMF - Slow Blow Fuse  
GLR - Fast Blow Fuse  
CSA - UL listed or CSA certified for Canada  
EL - Emergency Light

## Ordering Information

Example: PM44-832-TFSA12-4EU-GLR

### Series

PM Series

### Fixture Size

44 - 4' x 4'

### No. of Lamps

6 - Six Lamps  
8 - Eight Lamps

### Lamp Type

40 - 4' T12, 40 Watt  
32 - 4' T8, 32 Watt

### Door

TFS - Twin Flush Steel  
FA - Flush Aluminum  
TFA - Twin Flush Aluminum  
RA - Regressed Aluminum  
TRA - Twin Regressed Aluminum

### Voltage

120 - 120V  
277 - 277V  
347 - 347V  
U - 120V/277V

### Ballast

E - Electronic T8, Instant Start  
4E - 4-Lamp Electronic T8, Instant Start  
For a specific ballast vendor, show as option.

### Diffuser Options

A12 - Acrylic, Pattern 12  
A12.125 - Acrylic, Pattern 12.125 Nominal  
A12.125M - Acrylic, Pattern 12.125 Minimum  
A19 - Acrylic, Pattern 19  
PC1 - Polystyrene Silver Parabolic Louver 1/2" x 1/2" x 1/2"  
PC2 - Polystyrene Silver Parabolic Louver 1 1/2" x 1 1/2" x 1"  
IMA - .150 Injection Molded Acrylic  
DOP - White Dished Acrylic  
A12.187 - Acrylic, Pattern 12.187, Single or Twin Panels

### Options

GMF - Slow Blow Fuse  
GLR - Fast Blow Fuse  
CSA - UL listed or CSA certified for Canada  
EL - Emergency Light