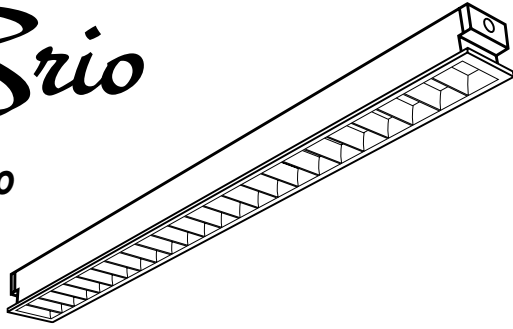
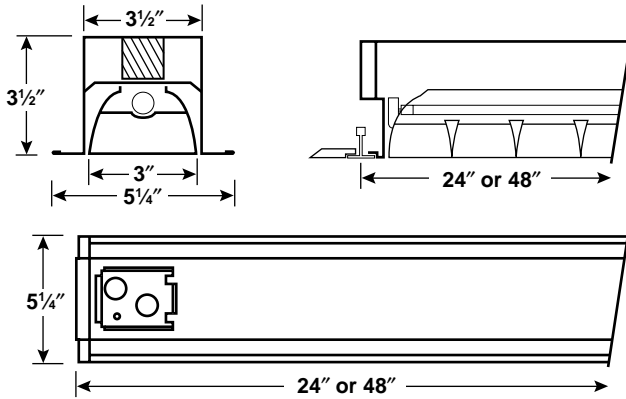


# Brio

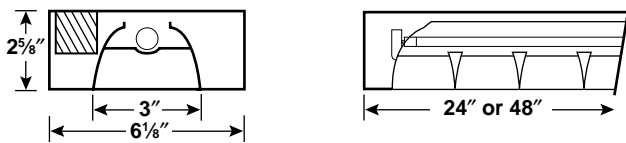
## Stretto



### Recessed

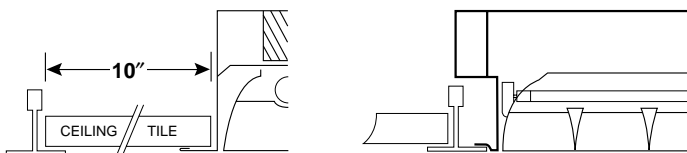
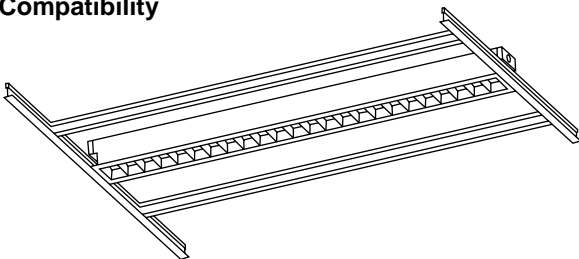


### Surface/Pendant



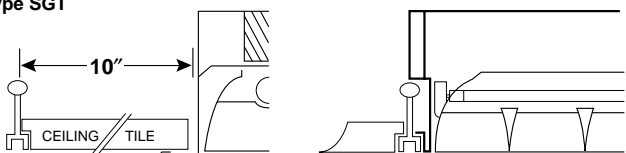
### Ceiling Compatibility

Type GT



For lay-in installation in exposed grid ceilings. Maximum tee widths of 1" and maximum tee heights of 1 1/2" allowed.

Type SGT



For 3/8" slot grid type ceilings. Louver will be level with the ceiling plane. Shoulder heights of tee or exact slot grid must be specified.

# BR042-1, BR044-1

## 4" x 2' or 4" x 4' Parabolic 1 T5 or T5 HO Lamp

Type: \_\_\_\_\_

Job Description: \_\_\_\_\_

### Features

- Narrow aperture dedicated louver for single or row mounting.
- RP-1 compliant with superior glare control for areas with computers.
- T5 or T5 HO technology provides an excellent lumen package.
- 3 1/2" deep, low profile housing.
- Integral cross tee trim (GT) supports ceiling tile for easy installation.

### Construction

Luminaire housing and endcaps are die formed code gauge cold rolled steel. Lamps are accessible from below the ceiling. Anodized aluminum louver securely snaps into position without tools. Safety tethers are standard, allowing hands-free maintenance.

### Finish

Painted parts are treated with a five stage phosphate bonding process and are finished with a high reflectance baked white enamel. Louver is standard low iridescence specular (LS) natural anodized aluminum.

### Installation

An access plate is furnished with each recessed fixture for fast wiring connections without the necessity to open the fixture or wireway. In-row wiring is available for end-to-end or tandem spacing.

### Ceiling Compatibility

Standard integral cross tee trim (GT) allows installation into a 2'x2' or 2'x4' 15/16" lay-in exposed grid ceiling without the need to frame with additional T-bar. GT trim acts as integral cross tee to support ceiling tile along the length of the unit. Cut tile to 10" each side. For Slot Grid T-bar, use Slot Grid integral cross tee (SGT) trim. Grid (G) trim is available for use with FK04 flange kit to install grid (G) trim into hard ceiling application. Grid (G) trim may also be used for traditional T-bar installations (requires full framing of unit). If flange with wing hangers or surface mount is desired, contact factory.

### Labels & Electrical

All luminaires are UL listed 1598 and bear UL recessed fixture labels. CUL label optional. Completely wired with standard class "P", thermally protected, autoresetting, HPF, CBM ballasts. Sound rated A. All ballast leads extend a minimum of 6" through access opening.

Complete ordering information on back. Dimensions and specifications subject to change without notice.



Hubbell Lighting, Inc.

www.columbialighting.com • 3808 N Sullivan Rd, Bldg 29 • Spokane, WA 99216 • (509) 924-7000

Columbia  
LIGHTING

P1.5



Tel 509 924 7000  
PO Box 2787 (99220) 3808 North Sullivan Road Spokane WA 99216

**Environmental Laboratories**

REPORT # 12831  
DATE: 5/15/ 1

LUMINAIRE: BR044-154G-LS-EB5-PAF

4" X 48" 1 LAMP WITH 24 CELL SPECULAR LOUVER  
BAL.: DT2X54/120PHD; LAMP: F54T5; BAL. FAC.: 1.00; WATTS: 60  
LAMPS RATED AT 4400 LUMENS EACH  
LUMINOUS AREA: 45.0 X 3.1

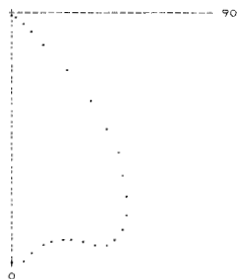
REFLECTANCE: PCW .93

MOUNTING: RECESSED

S/MH: PARL 1.21 NORM 1.33

PLOT OF NORMAL PLANE SHIELDING: PARL 32 NORM 34

DFR	C A N D L E P O W E R			
	0	22.5	45	67.5
0	1975.	1975.	1975.	1975.
5	1960.	1971.	1957.	1921.
10	1937.	1921.	1847.	1832.
15	1888.	1825.	1824.	1851.
20	1808.	1735.	1827.	1923.
25	1707.	1673.	1834.	1965.
30	1590.	1596.	1786.	1860.
35	1454.	1490.	1609.	1602.
40	1291.	1328.	1364.	1247.
45	1034.	1072.	1004.	798.
50	543.	697.	614.	311.
55	191.	263.	241.	95.
60	30.	73.	59.	19.
65	4.	4.	9.	9.
70	2.	2.	2.	1.
75	0.	1.	0.	0.
80	0.	0.	0.	0.
85	0.	0.	0.	0.
90	0.	0.	0.	0.



ZONE	LUMENS	LAMP	FIXT
0- 30	1543.	35.1	45.2
0- 40	2503.	56.9	73.3
0- 60	3399.	77.2	99.6
0- 90	3413.	77.6	100.0
90-180	0.	0.0	0.0
0-180	3413.	77.6	100.0

This photometric test was performed using a specific ballast / lamp combination. Extrapolation of these data for other ballast / lamp combinations may produce erroneous results. The ballast factor must be applied to the lumen output rating assigned to the lamp(s) or to the candlepower values shown. Luminaire efficacy rating (LER) per NEMA LE9-1993.

LER = 57

TESTED BY: *S.T.*

APPROVED BY: *ID*

TEST RUN IN ACCORDANCE TO CURRENT I.E.S. PUBLISHED PROCEDURES

RC RW	Coefficients of Utilization											
	Zonal Cavity Method										Floor Reflectance - .20	
	80				70				50			
1	88	85	83	81	86	83	82	80	80	79	77	72
2	83	78	75	72	81	77	74	71	75	72	70	66
3	78	72	68	64	76	71	67	64	69	66	63	60
4	73	66	61	58	71	65	61	57	64	60	57	54
5	68	61	55	52	67	60	55	51	58	54	51	49
6	64	56	50	47	63	55	50	46	54	49	46	44
7	59	51	46	42	58	50	45	42	49	45	41	40
8	55	46	41	37	54	46	41	37	45	40	37	35
9	51	42	36	33	50	41	36	33	41	36	32	31
10	47	38	33	29	46	38	33	29	37	32	29	28

Visual Comfort Probability	VCP											
	Reflectance - 80, 50, 20 Work Plane Illumination - 100 FC@ 2.5 ft.											
	Room Dimensions		Luminaires Lengthwise				Luminaires Crosswise					
	W	L	Ht.	8.5	10.0	13.0	16.0	Ht.	8.5	10.0	13.0	16.0
20	20	20		84	76	62	46		95	86	79	60
20	40			88	83	75	59		95	87	87	73
30	30			91	85	76	58		96	91	87	69
30	60			91	87	83	68		97	91	89	74
40	40			91	89	84	69		98	93	91	77
40	60			91	89	86	73		98	93	91	77
60	30			91	88	83	67		98	94	91	76
60	40			91	89	86	73		98	94	92	81
60	60			91	89	88	76		98	94	93	81

**LER: 57**                      **Energy Cost: \$4.21\***  
**Input Watts: 60**                      **BF: 1.00**

The above energy calculations were conducted using a specific lamp/ballast combination. Actual results may vary depending upon the lamp and ballast used. Lamp and ballast specifications are subject to change without notice.

\*Comparative annual lighting energy cost per 1000 lumens based on 3000 hours and \$0.08 per KWH.

**Example: BR044-154GT-LS-EB5120-1WW**

<p><b>Model</b> BR - Brio</p> <p><b>Fixture Size</b> 042 - 4" x 2' (Recessed) 044 - 4" x 4' (Recessed) 062 - 6" x 2' (Surface) 064 - 6" x 4' (Surface)</p> <p><b>No. of Lamps</b> 1 - One</p> <p><b>Ceiling Type</b> GT - Integral Cross Tee (Grid ends lay into T-bar, sides act as integral cross-tee to support ceiling tile) SGT - Slot Grid Integral Cross Tee (Ends lay into slot grid T-bar, sides act as integral cross-tee to support tile) G - Grid (Standard 1/16" flat lay-in T-bar) SM - Surface Mount</p>	<p><b>Lamp Type</b> 14 - 2', Linear T5 24 - 2', Linear T5 HO 28 - 4', Linear T5 54 - 4', Linear T5 HO</p>	<p><b>Louver Finish</b> LS - Low Iridescence Specular</p>	<p><b>Ballast</b> EB5 - Electronic Linear T5 Lamp type will determine ballast installed. For example, BR042-124GT-LS-EB5277 will ship with T5 HO electronic ballast suitable for (1) 24W T5 HO lamp.</p> <p><b>Options</b> 1WW - Asymmetric Wall Wash 2WW - Double Wall Wash F5830 - T5 Standard or T5 HO Linear Lamp Installed, 80 CRI, 3000 K** F5835 - T5 Standard or T5 HO Linear Lamp Installed, 80 CRI, 3500 K** F5841 - T5 Standard or T5 HO Linear Lamp Installed, 80 CRI, 4100 K** FK042 - 4" x 2' Single Flange Kit FK044 - 4" x 4' Single Flange Kit DL - Damp Label GLR - Fast Blow Fuse GMF - Slow Blow Fuse EL - Emergency Battery Pack C388 - 3-Wire Flex MSEE - Master/Satellite End-to-End (Allows two units to share one ballast when placed end-to-end) MS6 - Master/Satellite with 6' Harness PAF - Paint After Fabrication</p> <p>**Lamp type will determine lamp installed. For example, BR044-154HOGT-LS-EB5120-F5835 will ship with (1) 54 Watt T5 Hight Output 80 CRI, 3500 K lamp installed.</p>	<p><b>Voltage</b> 120 - 120V 277 - 277V</p>
---	---	---	--	---

