

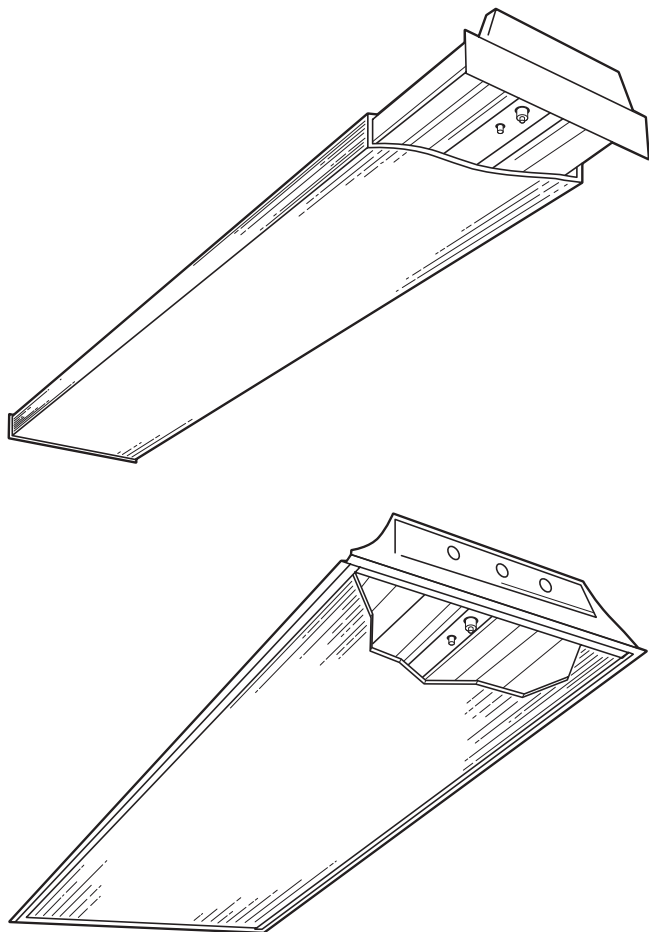
# Specification Grade Lens Options

Designation	Description
A12	Acrylic Pattern 12 Lens
A12.125	Acrylic Pattern 12 Lens, .125" Nominal Length
A12.125M	Acrylic Pattern 12 Lens, .125" Minimum Thickness
A12.187	Acrylic Pattern 12 Lens, .187" Thickness
AT12	KSH AcriTuf, .140" Thickness
DR12	High Impact Pattern 12 Lens, .140" Thickness
RF12	RF Suppression Pattern 12 Lens
ST12	Silver Tint Acrylic Pattern 12 Lens
A15	Acrylic Pattern 15 Lens, .200" Thickness
A19	Acrylic Pattern 19 Lens, .156" Thickness
RF19	RF Suppression Pattern 19 Lens
ST19	Silver Tint Acrylic Pattern 19 Lens
CA	Clear Acrylic Lens
DOP	Drop Opal Acrylic Lens
EC	1/2" x 1/2" x 1/2" Polystyrene Translucent White Louver
ECA	1/2" x 1/2" x 1/2" Acrylic Translucent White Louver
ECALUM	1/2" x 1/2" x 1/2" Eggcrate Aluminum Louver, Painted White
GW	Painted Gloss White Enamel
MW	Painted Matte White Enamel
IMA	Injection Molded Acrylic Lens, .150" Thickness
IMA.175	Injection Molded Acrylic Lens, .175" Thickness
LD1329	13x29 Cell Aluminum Parabolic Louver, 1 1/2" x 1 1/2" x 3/4"
LS1329	13x29 Cell Specular Low Irridescent Aluminum Louver, 1 1/2" x 1 1/2" x 3/4"
OP	Opal Acrylic Lens
PC1	1/2" x 1/2" x 1/2" Silver Polystyrene Louver
PCA1	1/2" x 1/2" x 1/2" Silver Acrylic Louver
PCG1	1/2" x 1/2" x 1/2" Gold Polystyrene Louver
PCGA1	1/2" x 1/2" x 1/2" Gold Acrylic Louver
PC2	1 1/2" x 1 1/2" x 1" Silver Polystyrene Louver
PCA2	1 1/2" x 1 1/2" x 1" Silver Acrylic Louver
PCG2	1 1/2" x 1 1/2" x 1" Gold Polystyrene Louver
PCGA2	1 1/2" x 1 1/2" x 1" Gold Acrylic Louver
PC3	3" x 3" x 1 1/2" Silver Polystyrene Louver
PCA3	3" x 3" x 1 1/2" Silver Acrylic Louver
PCG3	3" x 3" x 1 1/2" Gold Polystyrene Louver
PCGA3	3" x 3" x 1 1/2" Gold Acrylic Louver
PC4	3/4" x 3/4" x 1/2" Silver Polystyrene Louver
PCA4	3/4" x 3/4" x 1/2" Silver Acrylic Louver
PCG4	3/4" x 3/4" x 1/2" Gold Polystyrene Louver
PCGA4	3/4" x 3/4" x 1/2" Gold Acrylic Louver
PCTY4	3/4" x 3/4" x 1/2" Specular Silver Poly Louver with Trim and Overlay
PCATY4	3/4" x 3/4" x 1/2" Specular Silver Acrylic Louver with Trim and Overlay
PCGTY4	3/4" x 3/4" x 1/2" Specular Gold Poly Louver with Trim and Overlay
PCGATY4	3/4" x 3/4" x 1/2" Specular Gold Acrylic Louver with Trim and Overlay
TG	Tempered Glass, Pattern 73
TGA	Tempered Glass, Pattern 73, Annealed
Y	.040 White Overlay
CY	.040 Clear Overlay
CCY	.060 Smooth Crystal Clear Overlay
For a special overlay use "Y" designation followed by thickness and/or pattern. Example: YA12.100	
6250	Holophane 6250 Lens
8224	Holophane 8224 Lens
8246	Holophane 8246 Lens (8224 with bonded overlay)

For shieldings not listed here, refer to individual cut sheets and/or contact your Columbia Representative.



# Emergency Lighting System



## Emergency Lighting System

Provides automatic and instantaneous safe lighting to meet UL and NEC requirements in the event of an interruption of power to the fixture for any reason. The system is available in most standard fixtures. It permits the emergency lighting to be an integral and inconspicuous part of the total lighting system without the need of bulky and unattractive special purpose fixtures.

## Operation

In the event of a power failure, whether in the immediate area of the fixture or a complete system-wide shutdown, the battery operated inverter ballast cuts in to operate one of the lamps, even a "dead lamp", in the fixture at reduced output for over 90 minutes. This will enable occupants to vacate the building. The highly efficient solid state charger will completely recharge the battery cells in 14 to 16 hours. Batteries are unconditionally guaranteed for one year.

## Construction

The self-contained, independently operated emergency units contain a solid state inverter/charger and a nickel-cadmium battery in addition to normal fixture components. Fixtures are also provided with a visible pilot light which indicates charger condition at a glance, and a test switch to simulate a power failure so that the system may be checked. Biasing circuit prevents cell reversal and system failure. All fixtures equipped with Emergency Lighting Systems are UL listed and use only UL listed components.

## Scope

Virtually every 4', 6', or 8' Rapid Start fluorescent may be equipped with an Emergency Lighting System. Available for 120 volt or 277 volt circuits. For 430 MA (slimline), 800 MA (High Output) or 1500MA (Very High Output) fluorescent systems consult your Columbia Representative.

To order a Columbia fixture equipped with the Emergency Lighting System, add suffix "EL" to the fixture catalog number/  
Example: WC4-240-LE120-EL.